

Ferrule - AI 0,75- 8 BU-B



3201547

<https://www.phoenixcontact.com/us/products/3201547>

Please be informed that the data shown in this PDF document is generated from our Online Catalog. Please find the complete data in the user documentation. Our General Terms of Use for Downloads are valid.

Ferrule, sleeve length: 8 mm, length: 14 mm, color: blue



Your advantages

- The taped ferrules were developed specifically for the crimping machine CF 3000 -2,5
- Available in the main color ranges up to 2.5 mm²
- Can be used to wire all terminal blocks, especially those of the CLIPLINE complete system

Commercial Data

Item number	3201547
Packing unit	1 pc
Minimum order quantity	1,000 pc
Sales Key	B16
Product Key	BH3414
Catalog Page	Page 515 (C-3-2019)
GTIN	4017918126278
Weight per Piece (including packing)	0.13 g
Weight per Piece (excluding packing)	0.128 g
Customs tariff number	85369010
Country of origin	DE

Technical Data

Product properties

Product type	Ferrule
Conductor category	stranded conductors, class 2, 5, 6 / B, C, K, M

Connection data

Conductor connection

Conductor cross section flexible max.	0.75 mm ²
Conductor cross section AWG max.	18
Stripping length	11 mm

Dimensions

Dimensional drawing	
Length	14 mm
Sleeve length	8 mm
Maximum stripping length	11 mm
Ferrule diameter	1.3 mm
Sleeve wall thickness	0.15 mm
Insulating collar thickness	0.25 mm
Inner dimensions of the insulating collar	2.8 mm

Material specifications

Color	blue
Material	CU-DHP
Flammability rating according to UL 94	HB
Coating	tin-plated (galvanic)
Components	free from silicone and halogen

Mechanical properties

Technical data

Sleeve length	8 mm
---------------	------

Environmental and real-life conditions

Ambient conditions

Permanent temperature	105 °C (-40 °C no load / 0 °C dynamic load)
Short-term temperature	120 °C

Ferrule - AI 0,75- 8 BU-B

3201547

<https://www.phoenixcontact.com/us/products/3201547>



Standards and regulations

Design according to standard

NFC 63-023

Ferrule - Al 0,75- 8 BU-B

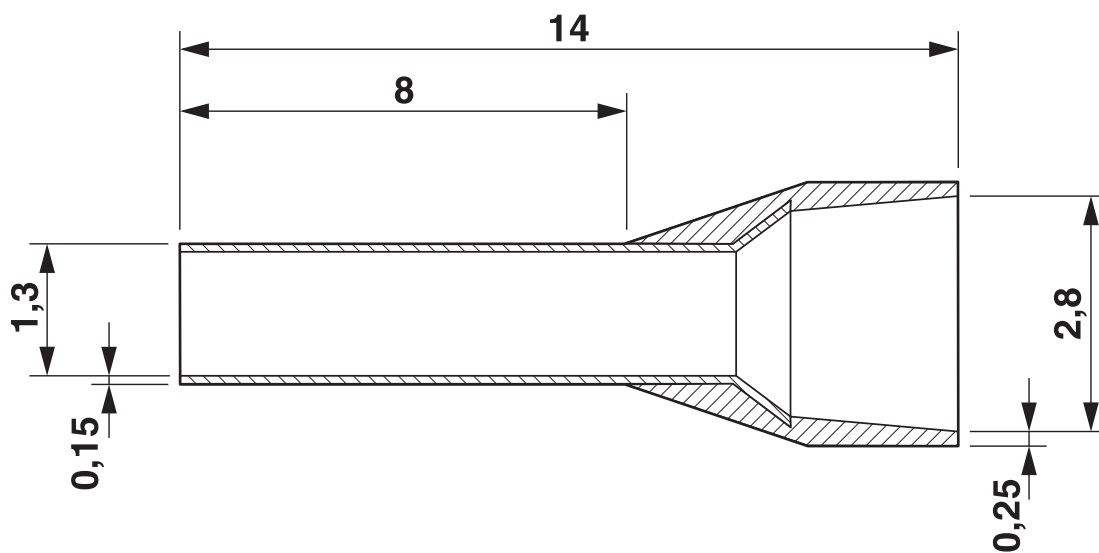
3201547

<https://www.phoenixcontact.com/us/products/3201547>



Drawings

Dimensional drawing



Ferrule - AI 0,75- 8 BU-B



3201547

<https://www.phoenixcontact.com/us/products/3201547>

Approvals



CSA

Approval ID: 247397



CSAus

Approval ID: 247397

cCSAus

Ferrule - Al 0,75- 8 BU-B



3201547

<https://www.phoenixcontact.com/us/products/3201547>

Classifications

ECLASS

ECLASS-9.0	27400201
ECLASS-10.0.1	27400201
ECLASS-11.0	27400201

ETIM

ETIM 8.0	EC000005
----------	----------

UNSPSC

UNSPSC 21.0	27121700
-------------	----------

Ferrule - Al 0,75- 8 BU-B

3201547

<https://www.phoenixcontact.com/us/products/3201547>



Environmental Product Compliance

China RoHS	Environmentally friendly use period: unlimited = EFUP-e
	No hazardous substances above threshold values

Ferrule - AI 0,75- 8 BU-B

3201547

<https://www.phoenixcontact.com/us/products/3201547>



Accessories

Crimping pliers

Crimping pliers - CRIMPFOX CENTRUS 6S - 1213144

<https://www.phoenixcontact.com/us/products/1213144>



Crimping pliers, for uninsulated and insulated ferrules, DIN 46228 Part 1 and 4, from 0.14 mm² ... 6 mm², also for TWIN ferrules up to 2 x 4 mm², automatic cross section adjustment, lateral insertion, equipped with fall protection

Crimping pliers

Crimping pliers - CRIMPFOX CENTRUS 6H - 1213146

<https://www.phoenixcontact.com/us/products/1213146>



Crimping pliers, for uninsulated and insulated ferrules, DIN 46228 Part 1 and 4, from 0.14 mm² ... 6 mm², also for TWIN ferrules up to 2 x 4 mm², automatic cross section adjustment, lateral insertion, equipped with fall protection

Ferrule - AI 0,75- 8 BU-B

3201547

<https://www.phoenixcontact.com/us/products/3201547>



Crimping pliers

Crimping pliers - CRIMPFOX CENTRUS 10S - 1213154

<https://www.phoenixcontact.com/us/products/1213154>



Crimping pliers, for uninsulated and insulated ferrules, DIN 46228 Part 1 and 4, from 0.14 mm² ... 10 mm², also for TWIN ferrules up to 2 x 4 mm², automatic cross section adjustment, lateral insertion, equipped with fall protection

Crimping pliers

Crimping pliers - CRIMPFOX CENTRUS 10H - 1213156

<https://www.phoenixcontact.com/us/products/1213156>



Crimping pliers, for uninsulated and insulated ferrules, DIN 46228 Part 1 and 4, from 0.14 mm² ... 10 mm², also for TWIN ferrules up to 2 x 4 mm², automatic cross section adjustment, lateral insertion, equipped with fall protection

Ferrule - Al 0,75- 8 BU-B

3201547

<https://www.phoenixcontact.com/us/products/3201547>



Crimping pliers

Crimping pliers - CRIMPFOX 10S - 1212045

<https://www.phoenixcontact.com/us/products/1212045>



Crimping pliers, for ferrules without insulating collar according to DIN 46228 Part 1 and ferrules with insulating collar according to DIN 46228 Part 4, 0.14 mm² ... 10 mm², unlockable pressure lock, lateral entry

Crimping pliers

Crimping pliers - CRIMPFOX 6H - 1212046

<https://www.phoenixcontact.com/us/products/1212046>



Crimping pliers, for ferrules without insulating collar according to DIN 46228 Part 1 and ferrules with insulating collar according to DIN 46228 Part 4, 0.14 mm² ... 6 mm², unlockable pressure lock, lateral entry

Ferrule - Al 0,75- 8 BU-B

3201547

<https://www.phoenixcontact.com/us/products/3201547>



Crimping pliers

Crimping pliers - CRIMPFOX 2,5-M - 1212719

<https://www.phoenixcontact.com/us/products/1212719>



Crimping pliers, for ferrules without insulating collar according to DIN 46228 Part 1 and ferrules with insulating collar according to DIN 46228 Part 4, 0.25 mm² ... 2.5 mm², lateral entry, trapezoidal crimp

Crimping pliers

Crimping pliers - CRIMPFOX 6-M - 1212720

<https://www.phoenixcontact.com/us/products/1212720>



Crimping pliers, for ferrules without insulating collar according to DIN 46228 Part 1 and ferrules with insulating collar according to DIN 46228 Part 4, 0.25 mm² ... 6.0 mm², lateral entry, trapezoidal crimp

Ferrule - Al 0,75- 8 BU-B

3201547

<https://www.phoenixcontact.com/us/products/3201547>



Crimping pliers

Crimping pliers - CRIMPFOX 6 - 1212034

<https://www.phoenixcontact.com/us/products/1212034>



Crimping pliers, for ferrules without insulating collar according to DIN 46228 Part 1 and ferrules with insulating collar according to DIN 46228 Part 4, 0.25 mm² ... 6.0 mm², lateral entry, trapezoidal crimp

Crimping pliers

Crimping pliers - CRIMPFOX 6T - 1212037

<https://www.phoenixcontact.com/us/products/1212037>



Crimping pliers, for ferrules without insulating collar according to DIN 46228 Part 1 and ferrules with insulating collar according to DIN 46228 Part 4, 0.25 mm² ... 6 mm², lateral entry, trapezoidal crimp

Ferrule - Al 0,75- 8 BU-B

3201547

<https://www.phoenixcontact.com/us/products/3201547>



Crimping pliers

Crimping pliers - CRIMPFOX 6T-F - 1212038

<https://www.phoenixcontact.com/us/products/1212038>



Crimping pliers, for ferrules without insulating collar according to DIN 46228 Part 1 and ferrules with insulating collar according to DIN 46228 Part 4, 0.25 mm² ... 6 mm², front entry, trapezoidal crimp

Crimping pliers

Crimping pliers - CRIMPFOX 6S-F - 1212043

<https://www.phoenixcontact.com/us/products/1212043>



Crimping pliers, for ferrules without insulating collar according to DIN 46228 Part 1 and ferrules with insulating collar according to DIN 46228 Part 4, 0.5 mm² ... 6 mm², front entry, square crimp

Ferrule - AI 0,75- 8 BU-B

3201547

<https://www.phoenixcontact.com/us/products/3201547>



Crimping pliers

Crimping pliers - CRIMPFOX 16 S - 1207983

<https://www.phoenixcontact.com/us/products/1207983>



Crimping pliers for ferrules up to 16 mm²

Phoenix Contact 2022 © - all rights reserved

<https://www.phoenixcontact.com>

Phoenix Contact USA
586 Fulling Mill Road
Middletown, PA 17057, United States
(+717) 944-1300
info@phoenixcon.com